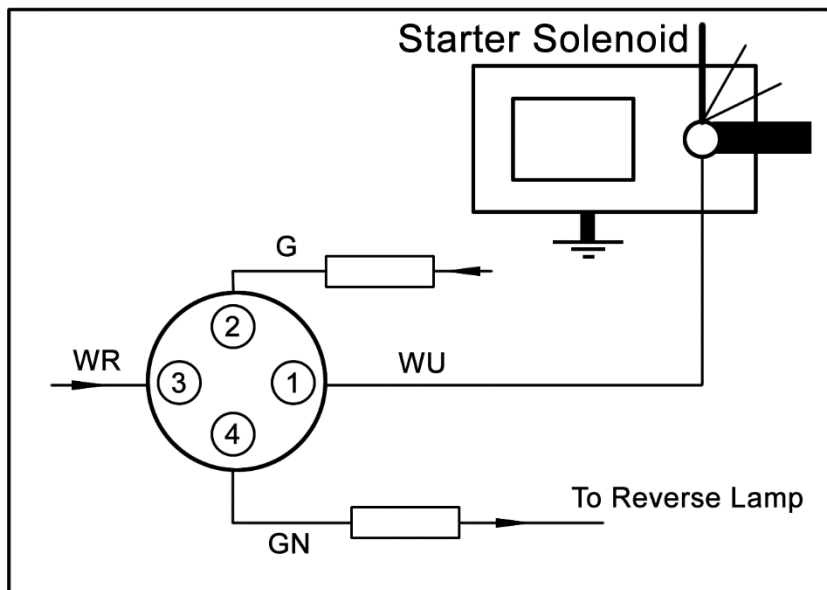


BW35 STARTER INHIBITOR/REVERSE LAMP SWITCH ADJUSTMENT



Select 'L'. Disconnect the leads from the switch and slacken the locknut. (11/16" AF spanner). Connect a test lamp circuit across the reverse lamp terminals and unscrew the switch until the lamp is on. Screw in the switch until the lamp just goes out; mark the switch and transmission casing.

Connect the test lamp leads across the starter inhibitor terminals. The lamp should be off. Screw in the switch (approx. 3/4 turn) until the lamp comes on and mark the transmission case adjacent to the mark on the switch. Remove the test lamp leads. Unscrew the switch until it is midway between the marks on the casing and tighten the locknut to 5lb. ft.

Check the operation of both circuits.

NOTE: Apply sealing compound to the thread on the switch.

